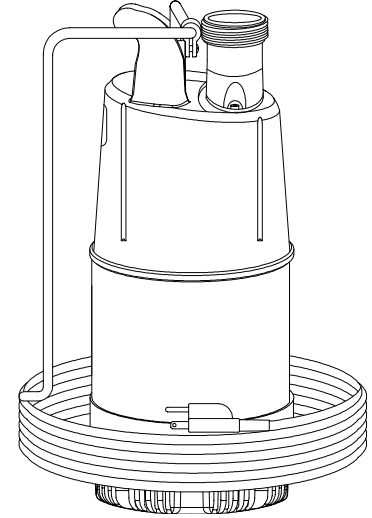


Portable Submersible Pumps

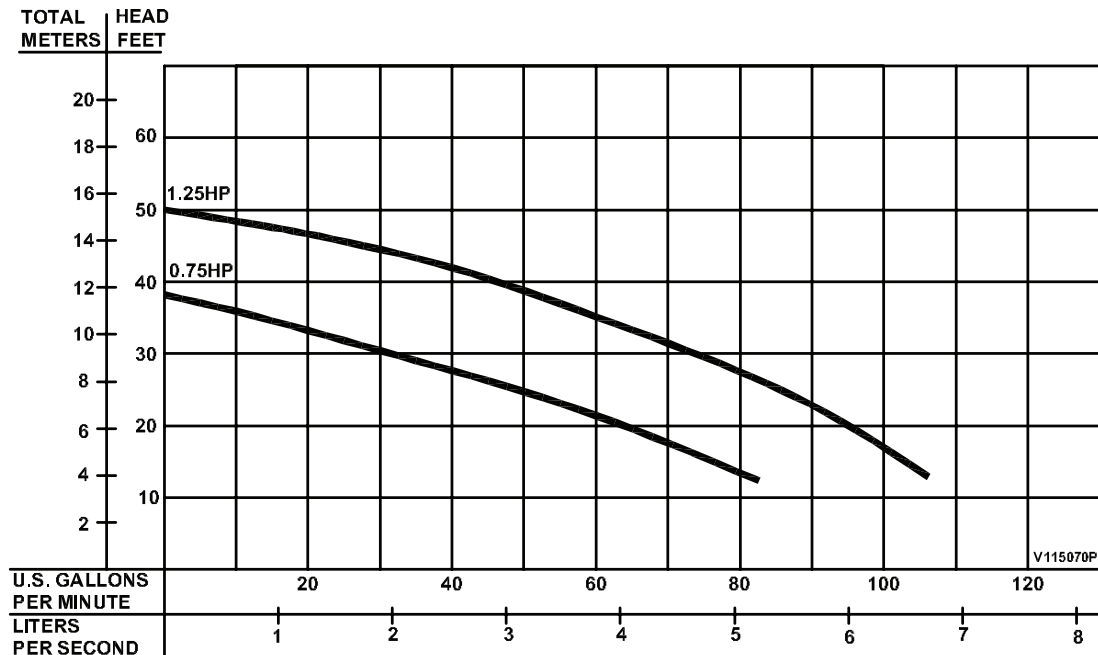
DISCHARGE	2" NPT, Male, Vertical
MOTOR SHELL	Stainless Steel
VOLUTE	Non-Metallic
IMPELLER	Non-Metallic
SHAFT	420 Stainless Steel
HARDWARE	300 Series Stainless Steel
SEAL:	
<i>Design</i>	Double Mechanical, Oil Filled Reservoir
<i>Material:</i>	
<i>Stationary Face</i>	Silicon/Carbide, Pump End Ceramic, Motor End
<i>Rotating Face</i>	Carbon
<i>Elastomer</i>	Buna-N
<i>Hardware</i>	300 Series Stainless
CORD ENTRY	50 ft. (15m) Cord with plug on 120 Volt Models. Molded for strain relief and compression seal
MOTOR:	
<i>Design</i>	NEMA Design L - Single Phase. Completely Air-Filled, Squirrel Cage Induction
SINGLE PHASE	Capacitor Start and Run. Includes Overload Protection in Motor
STRAINER25" (6mm) Openings, Non-Metallic, Rubberized
LIFTING HANDLE	Non-Metallic
LIFTING ROPE	3/8" (9.7mm) Polypropylene, 25 ft. (7.6m)



Series: 70, 71, 125, 126
.7 & 1.25HP, 3450RPM, 60Hz

DESCRIPTION:

The pumps are compact, lightweight units and highly portable. Designed specifically for use by contractors and utility service personnel. These pumps can operate in up to 104°F (40°C) temperature water. Before pumping fluids other than water consult the factory, giving fluid, fluid temperature, specific gravity, viscosity, capacity in USGPM and total head and/or pressure requirements, including friction loss through discharge line, fittings, valves, etc.



Testing is performed with water specific gravity of 1.0 @ 68°F (20°C), other fluids may vary performance



PUMPS & SYSTEMS

Series 70, 71, 125, 126

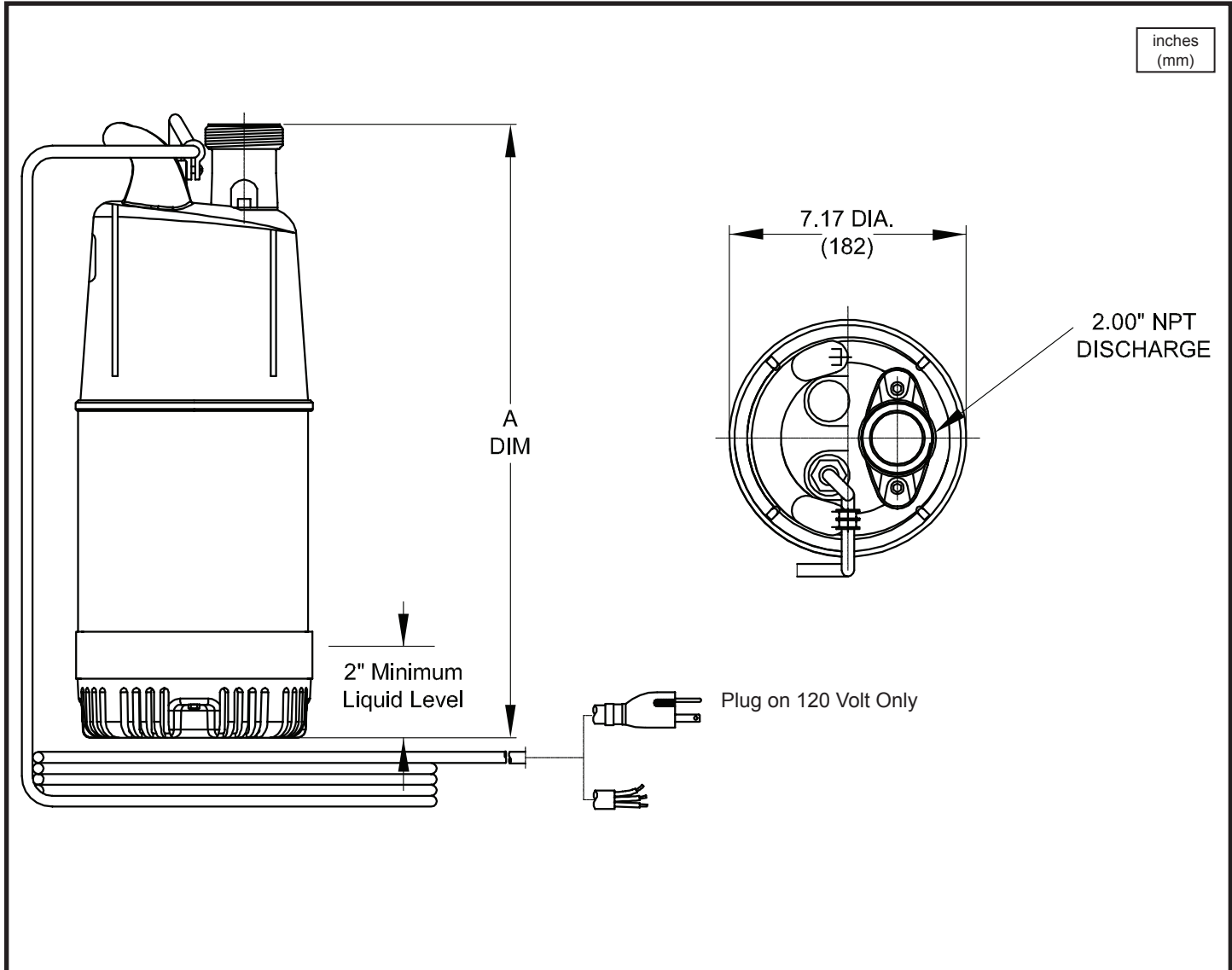
2" NPT Male Discharge

BARNES®

Professional Plumbing

www.cranepumps.com

Portable Submersible Pumps



MODEL NO	PART NO	A DIM inch (mm)	HP	VOLT/PH	Hz	RPM (Nom)	FULL LOAD AMPS	PUMP WEIGHT
70	115070	17.76 (451)	0.7	120/1	60	3450	8.0	30 lbs (13.6kg)
71	115071	17.76 (451)	0.7	240/1	60	3450	4.0	30 lbs (13.6kg)
125	115125	18.54 (471)	1.25	120/1	60	3450	15.0	35 lbs (15.9kg)
126	115126	18.54 (471)	1.25	240/1	60	3450	7.6	35 lbs (15.9kg)

Pump rated for operation at ± 10% voltage at motor.

IMPORTANT !

- 1.) PUMP MAY BE OPERATED "DRY" FOR EXTENDED PERIODS WITHOUT DAMAGE TO MOTOR AND/OR SEALS.
- 2.) THIS PUMP IS NOT APPROPRIATE FOR THOSE APPLICATIONS SPECIFIED AS CLASS I DIVISION I HAZARDOUS LOCATIONS.
- 3.) INSTALLATIONS SUCH AS DECORATIVE FOUNTAINS OR WATER FEATURES PROVIDED FOR VISUAL ENJOYMENT MUST BE INSTALLED IN ACCORDANCE WITH THE NATIONAL ELECTRIC CODE ANSI/NFPA 70 AND/OR THE AUTHORITY HAVING JURISDICTION. THIS PUMP IS NOT INTENDED FOR USE IN SWIMMING POOLS, RECREATIONAL WATER PARKS, OR INSTALLATIONS IN WHICH HUMAN CONTACT WITH PUMPED MEDIA IS A COMMON OCCURRENCE.

SECTION 1
PAGE 2
DATE 6/13

CRANE®

A Crane Co. Company

PUMPS & SYSTEMS

USA: (937) 778-8947 • Canada: (905) 457-6223 • International: (937) 615-3598